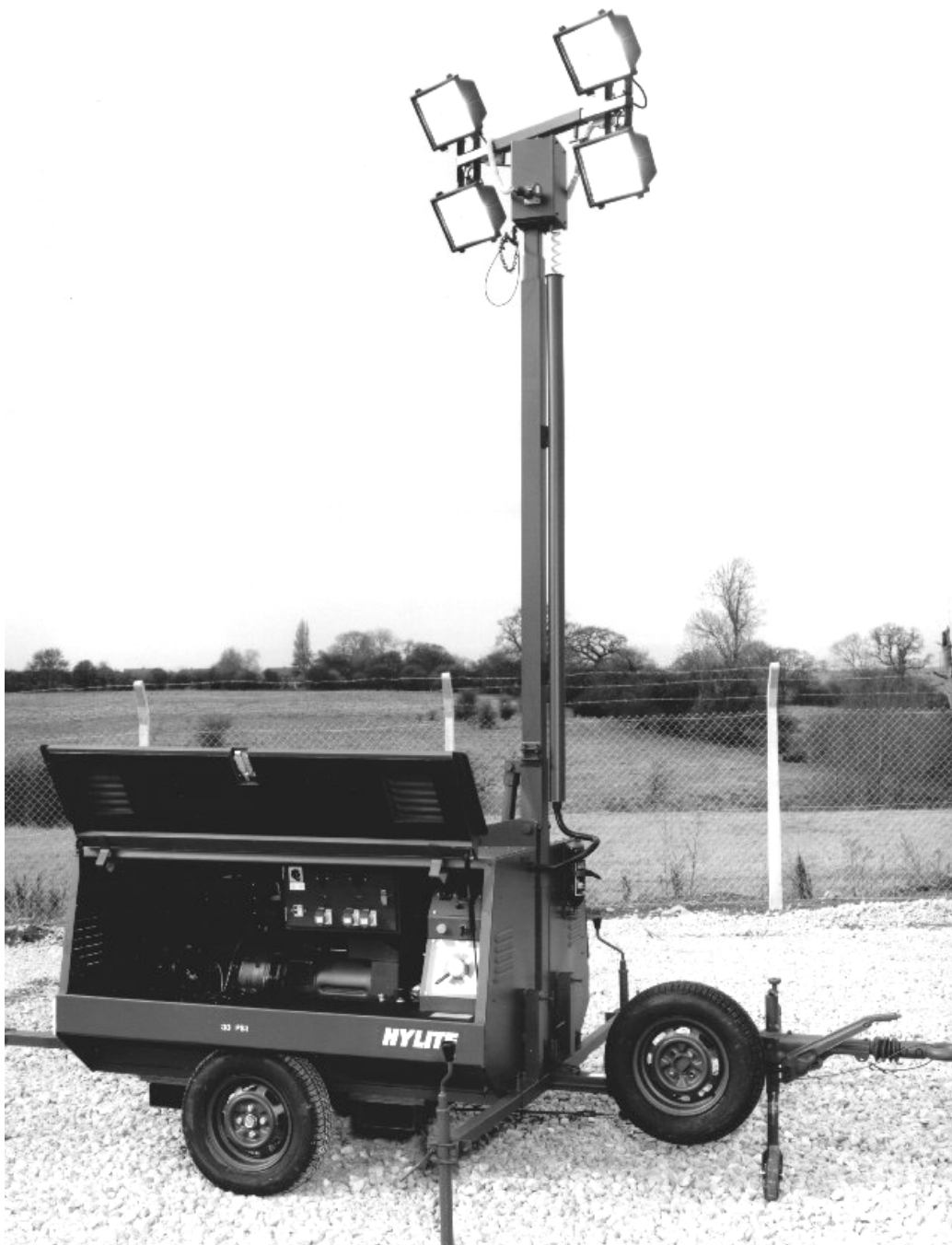
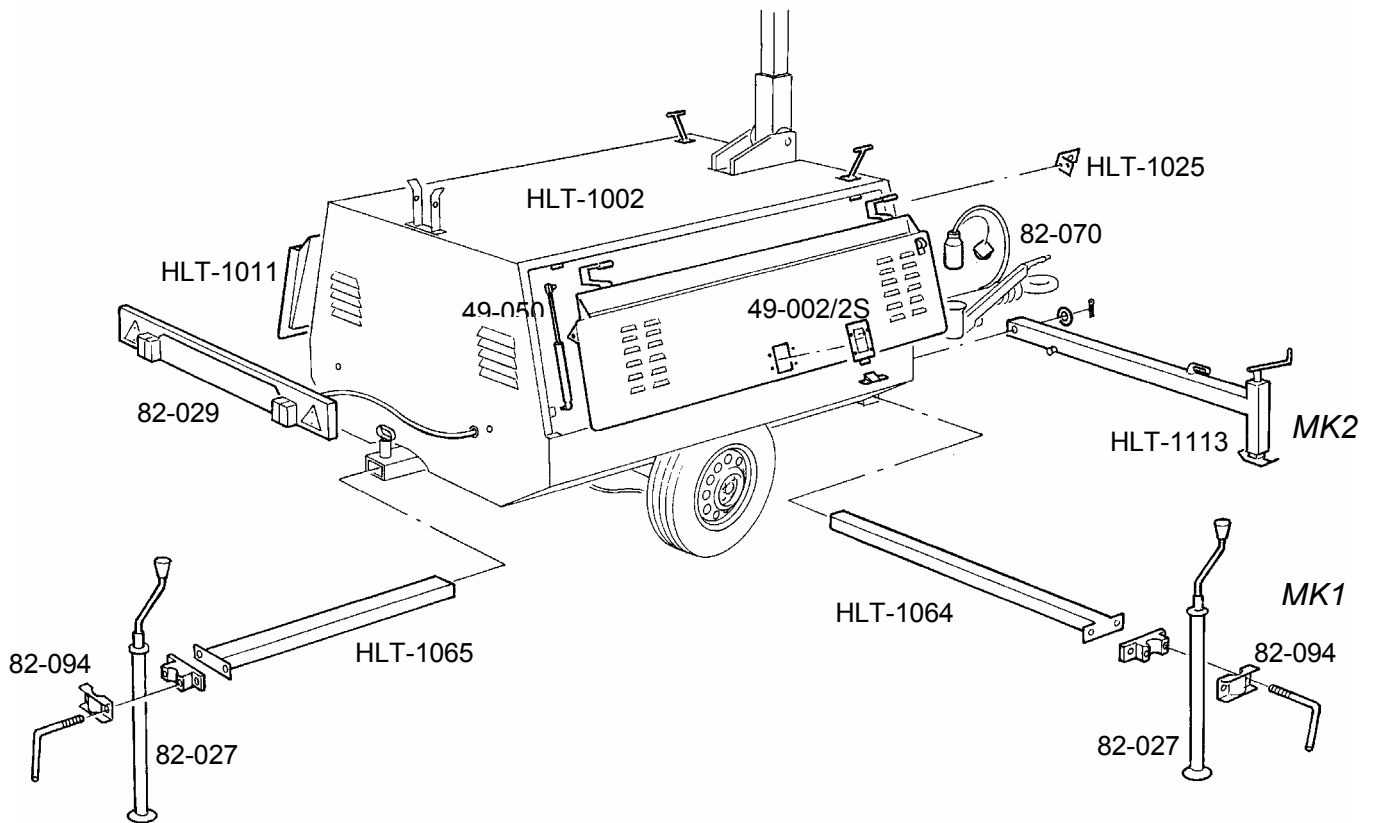


# HYLITE MK1/2 LIGHTING TOWER MOD STYLE



# BODY PARTS 1 (MK1/2)

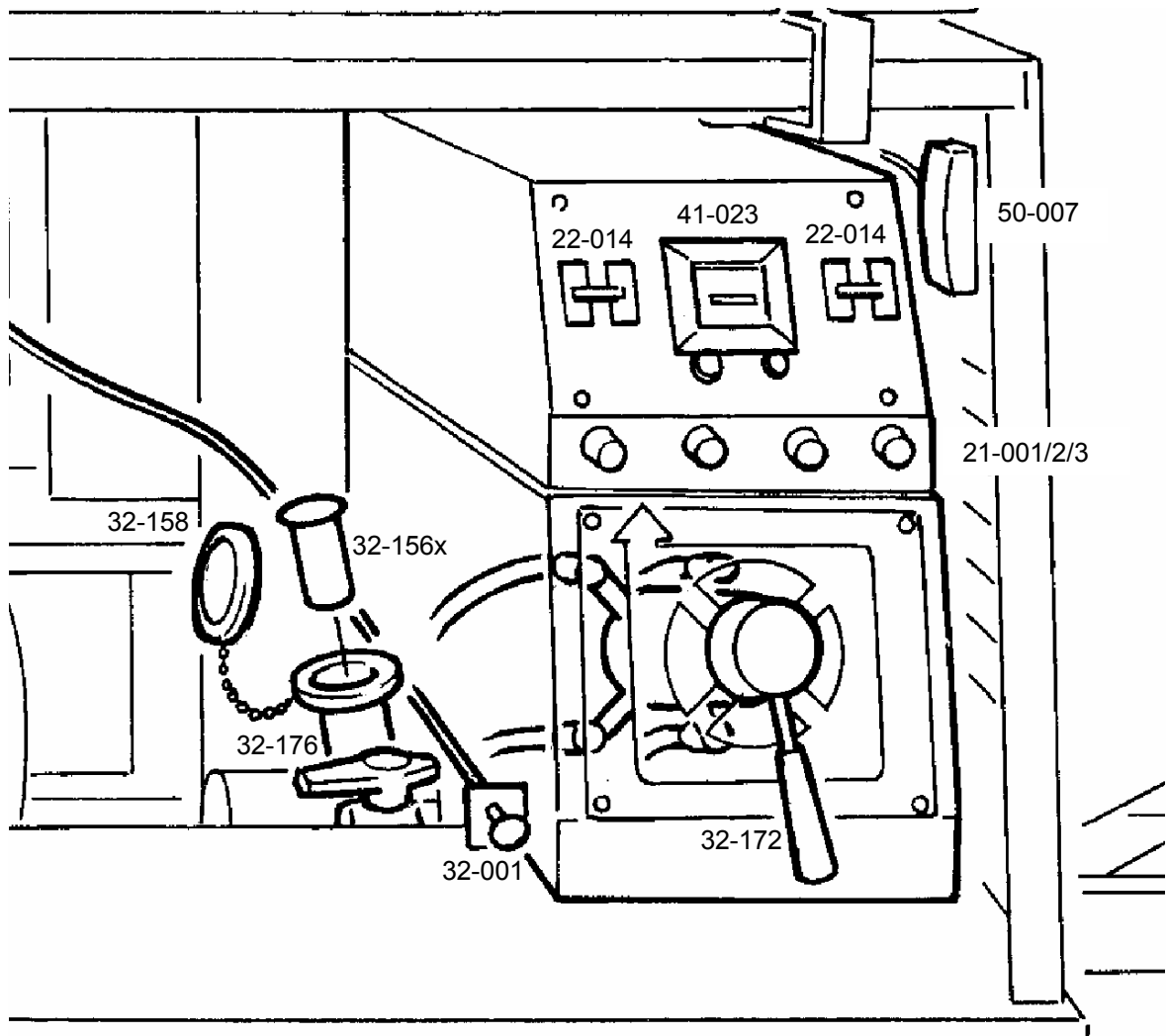


HLT-1002	ROOF
HLT-1011	DOOR
HLT-1025	GAS SPRING BRACKET
HLT-1064	FRONT OUTRIGGER MK1
HLT-1065	REAR OUTRIGGER
HLT-1113	FRONT OUTRIGGER R/H MK2
HLT-1114	FRONT OUTRIGGER L/H MK2
49-002	DOOR LOCK
49-002S	DOOR LOCK STRIKER
49-050	GAS SPRING
82-027	SCREW JACK
82-029	TRAILER BOARD
82-070	12 PIN NATO PLUG
82-094	SCREW JACK CLAMP
87-000	FIRE EXTINGUISHER (NOT SHOWN)
87-001	FIRE EXTINGUISHER FIXING BRACKET (NOT SHOWN)

## NOTE:

UNIQUE DOORS FOR MK1 ARE NOT AVAILABLE. USE MK2 DOORS AND EXISTING HARDWARE FOR MK1 REPLACEMENTS.

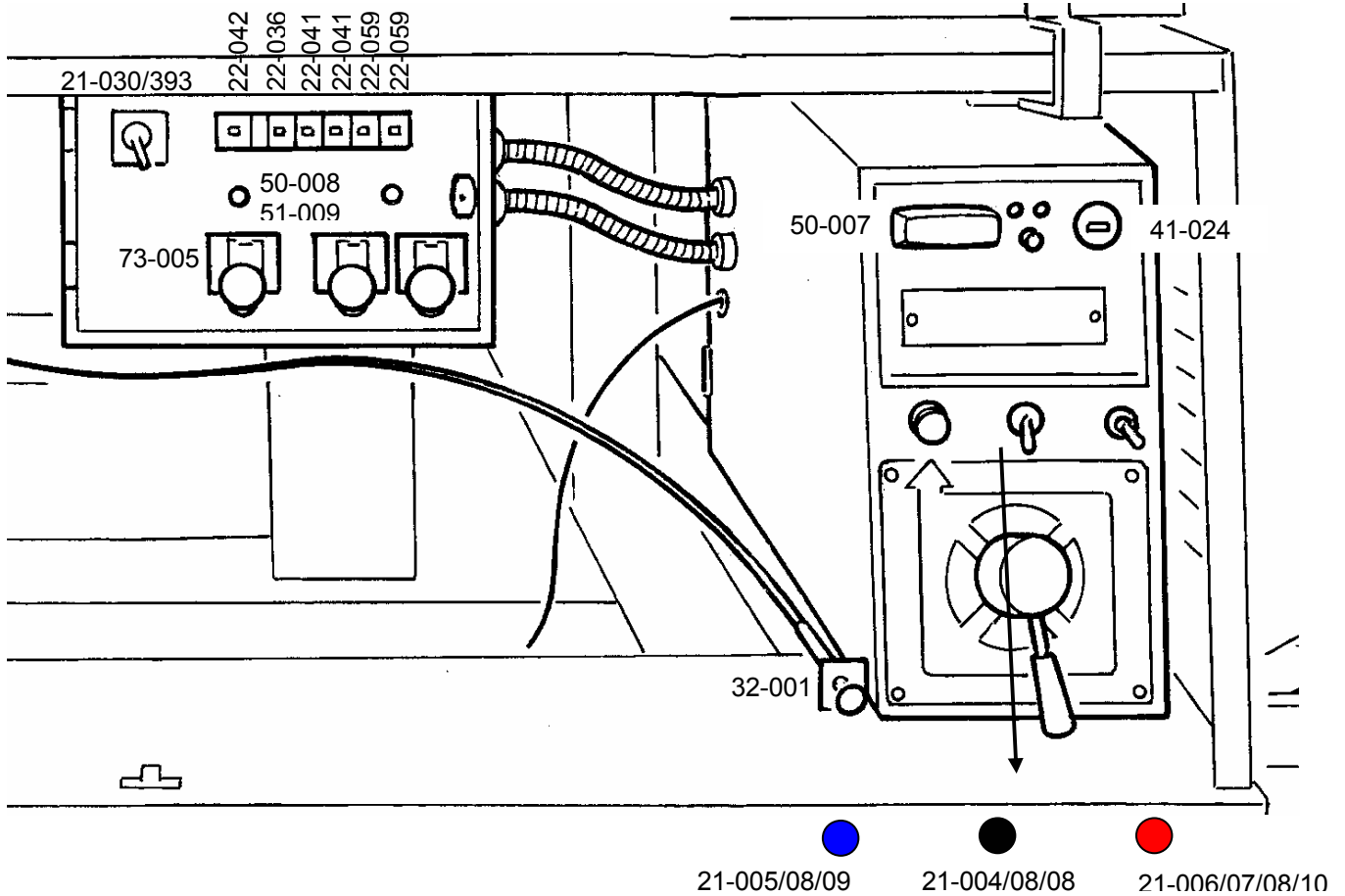
# CONTROLS MK1 OFFSIDE



21-001	RED PUSHBUTTON
21-002	BLACK PUSHBUTTON
21-003	GREEN PUSHBUTTON
22-014	MCB 10AMP 2 POLE
32-001	PULL TO STOP CABLE
32-156X	HYDRAULIC OIL FILTER
32-158	HYDRAULIC OIL TANK FILLER CAP
32-172	HYDRAULIC CONTROL VALVE
32-176	ETHER START KIT
41-023	HOUR METER
50-007	INTERIOR LIGHT



# CONTROLS MK2



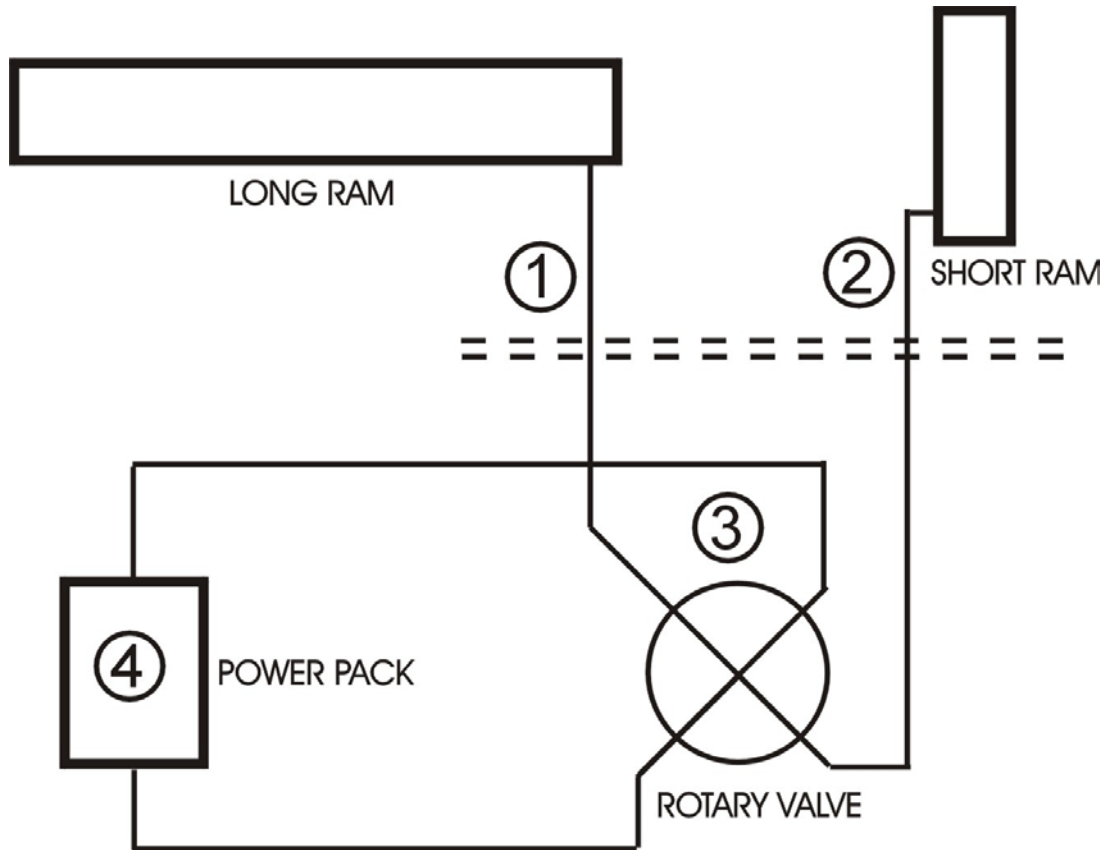
21-004	SELECTOR SWITCH BLACK
21-005	PUSHBUTTON BLUE
21-006	SELECTOR SWITCH RED
21-007	CONTACT BLOCK RED
21-008	CONTACT BLOCK GREEN
21-009	CLEAR BOOT
21-010	LIGHT UNIT
21-030/393	CHANGEOVER SWITCH
22-036	ELCB 63A
22-041	MCB 10A 2 POLE
22-042	MCB 16A 2POLE
22-059	MCB 6A 2POLE
32-001	PULL TO STOP CABLE
41-024	HOUR METER
50-007	INTERIOR LIGHT
50-008	RED LAMP HOLDER
51-009	BULB 12V 2.2W
73-005	3 PIN 220V BLUE SOCKET

21-005/08/09

21-004/08/08

21-006/07/08/10

# HYDRAULICS



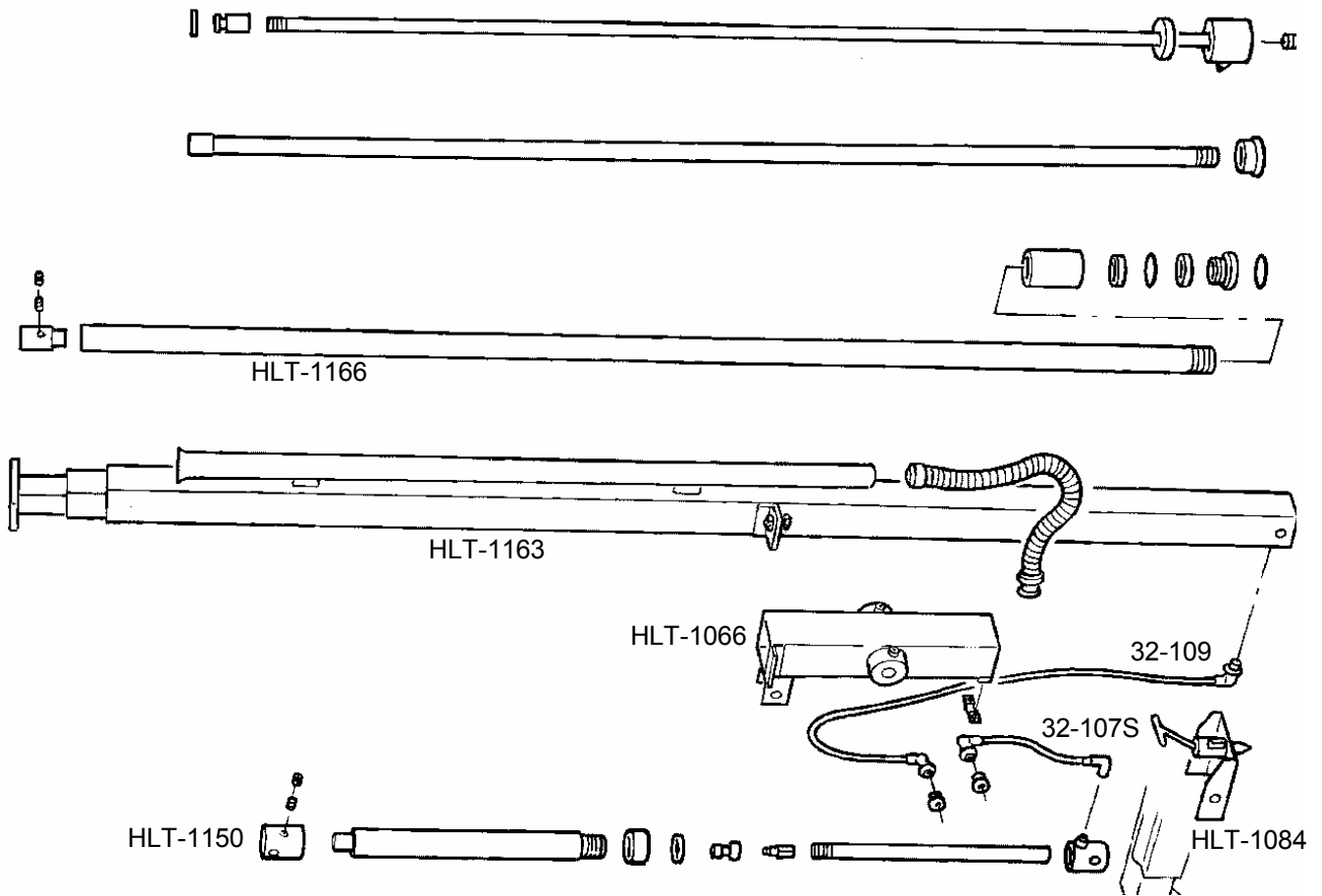
	1	2	3	4
MK1 HORIZONTAL PUMP	32-108*	32-107S	3 X 32-106 1 X 32-107R	32-162**
MK2a VERTICAL PUMP	32-109	32-107S	2 X 32-108*** 2 X 32-107R	32-159
MK2b VERTICAL PUMP	32-109	32-107S	3 X 32-108*** 1 X 32-107R	32-148

\* 32-108 THIS VERSION LENGTH WAS 940mm PRE 1993. NUMBER THEN RE USED.  
USE 32-109 FOR REPLACEMENT

\*\* 32-162 MOTOR ONLY AVAILABLE

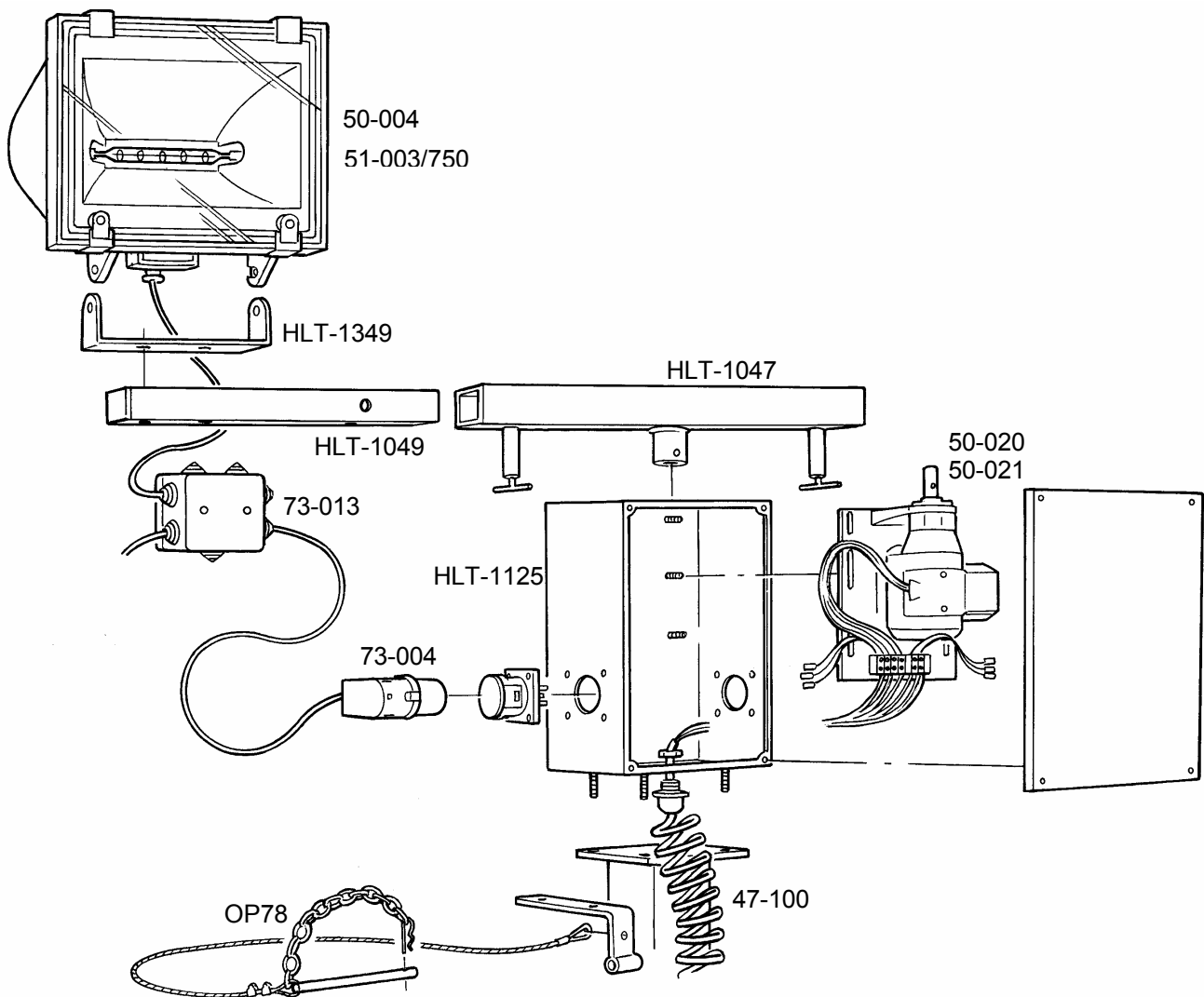
\*\*\* 32-108 NUMBER RE USED FOR THIS PIPE. LENGTH NOW 550mm

# HYDRAULIC RAMS



- |          |                            |
|----------|----------------------------|
| HLT-1066 | MAST PIVOT                 |
| HLT-1084 | MAST FOOT LOCK             |
| HLT-1150 | SHORT RAM ASSEMBLY         |
| HLT-1163 | LONG RAM OUTER GUIDE TUBE  |
| HLT-1166 | LONG RAM ASSEMBLY          |
| 32-107S  | HYDRAULIC PIPE 380mm LONG  |
| 32-109   | HYDRAULIC PIPE 1370mm LONG |

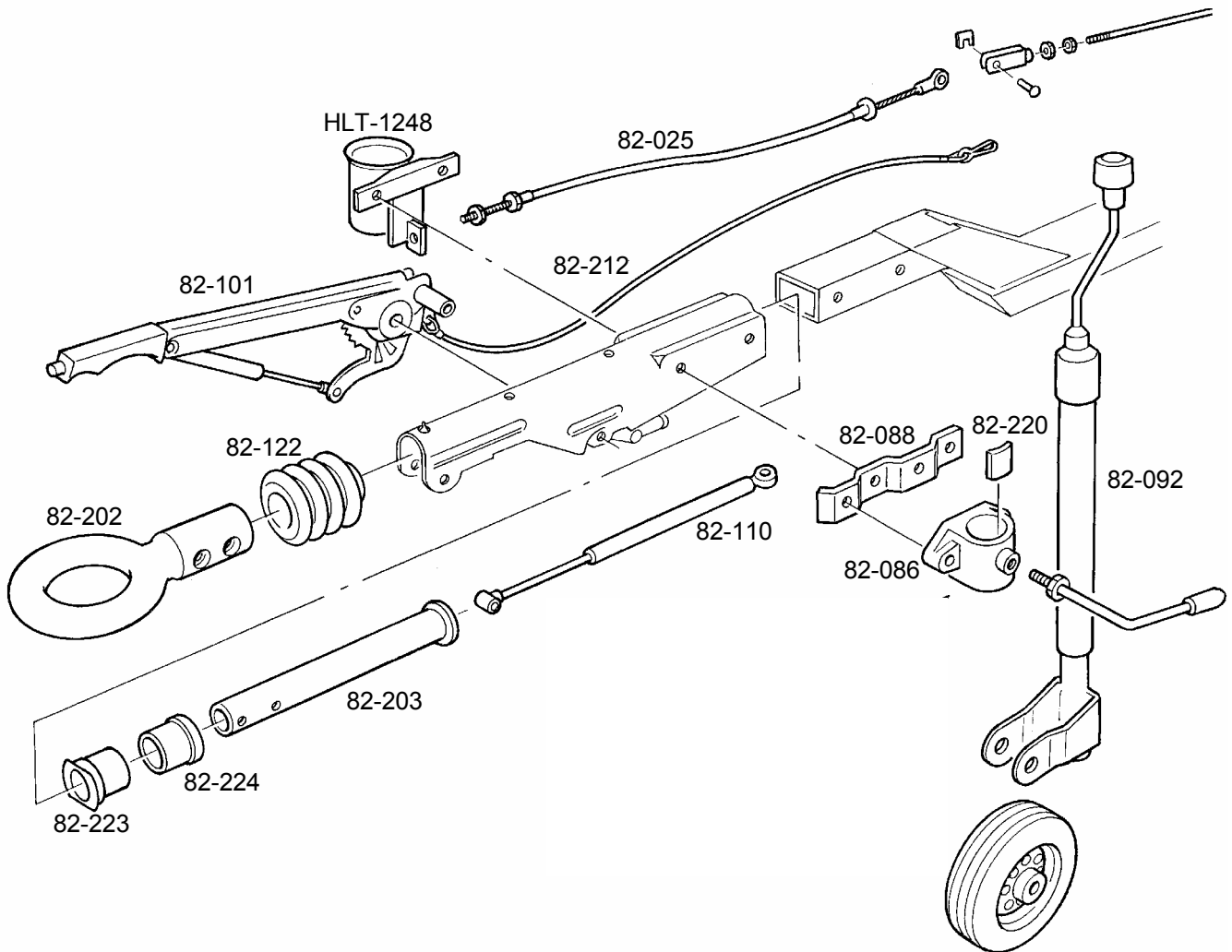
# HEADBOX & LIGHTS



HLT-1047	MAST CROSSMEMBER
HLT-1049	LIGHT ASSEMBLY BRACKET
HLT-1125	HEADBOX & LID
HLT-1349	LIGHT FITTING MOUNTING BRACKET
OP78D	TRAVEL PIN ASSEMBLY
47-100	1.5mm SQ 7 CORE COILED CABLE
50-004	LIGHT FITTING
50-020	ROTATING MOTOR 240V
50-021	'O' RING SEAL
51-003/750	750W 240V TUNGSTEN HALOGEN BULB
73-004	3 PIN 220V BLUE PLUG 16A
73-013	JUNCTION BOX

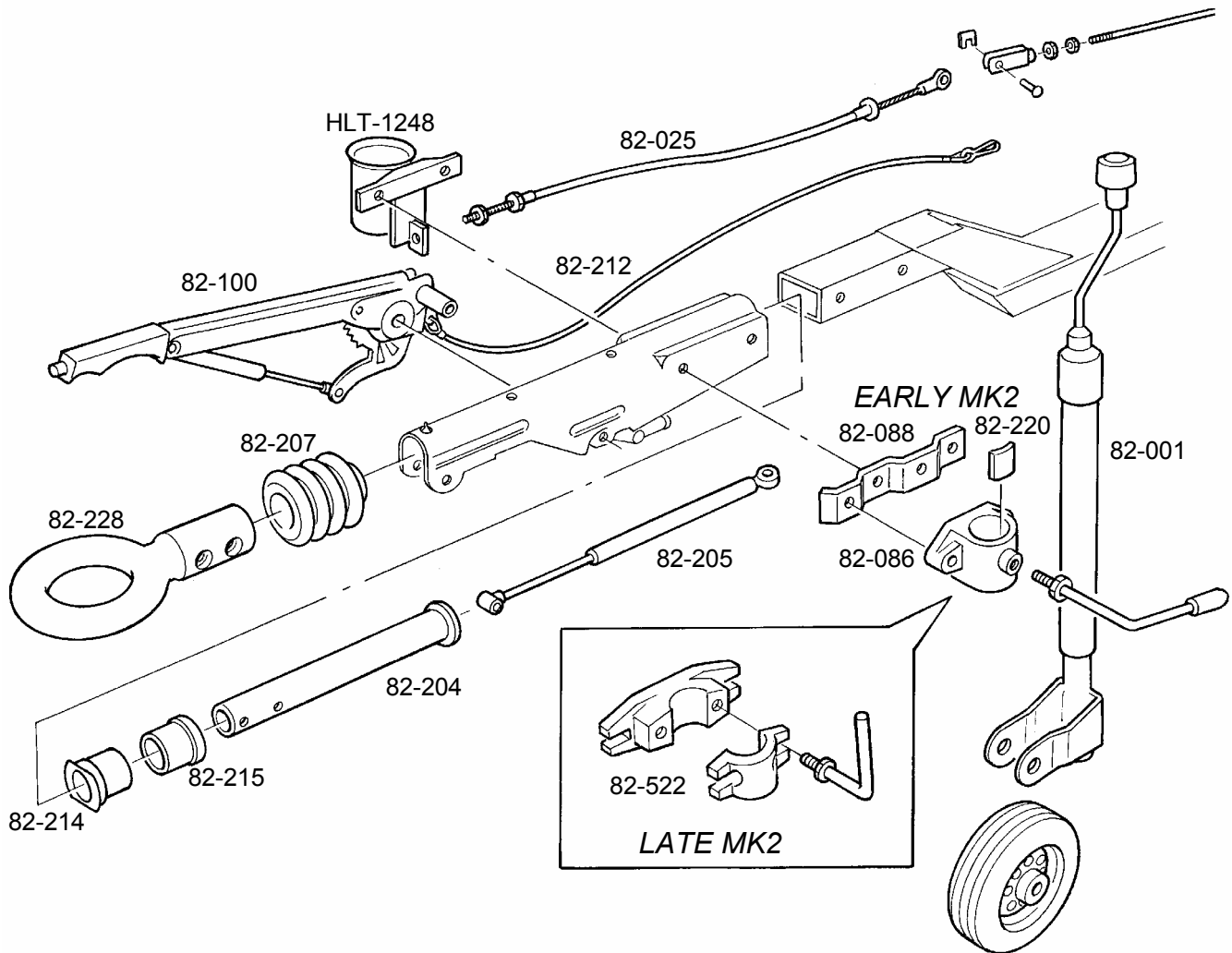


# TOWBAR FRONT END (MK1)



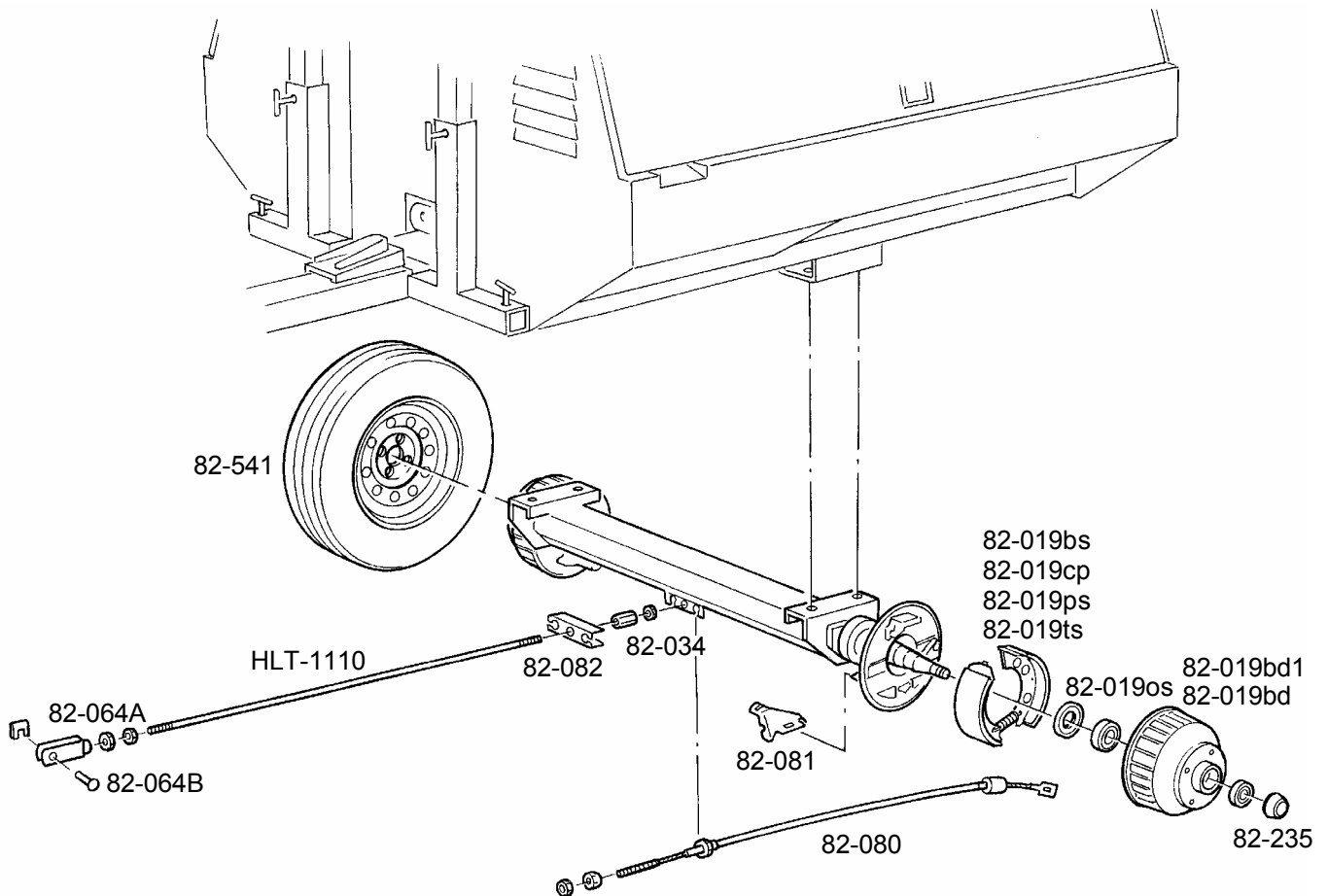
HLT-1248	NATO PLUG HOLDER MK1/2
82-025	BOWDEN CABLE
82-026	NATO HITCH COMPLETE ASSEMBLY 90S
82-086	JOCKEY WHEEL CLAMP ASSEMBLY
82-088	MOUNTING PLATE FOR 82-086
82-092	JOCKEY WHEEL ASSEMBLY
82-101	HANDBRAKE ASSEMBLY 90S
82-110	HITCH DAMPER 90S
82-122	GAITER 90S
82-212	BRAKAWAY CABLE
82-202	NATO EYE 90S
82-203	DRAWSHAFT 90S
82-220	PRESSURE PAD FOR 82-086
82-223	FRONT BUSH 90S
82-224	REAR BUSH 90S

# TOWBAR FRONT END (MK2)



HLT-1248	NATO PLUG HOLDER MK1/2
82-001	JOCKEY WHEEL ASSEMBLY
82-025	BOWDEN CABLE
82-035	NATO HITCH COMPLETE ASSEMBLY 161S
82-086	JOCKEY WHEEL CLAMP ASSEMBLY
82-088	MOUNTING PLATE FOR 82-086
82-100	HANDBRAKE ASSEMBLY 161S
82-204	DRAWSHAFT 161S
82-205	HITCH DAMPER 161S
82-207	GAITER 161S
82-212	BRAKAWAY CABLE
82-214	FRONT BUSH 161S
82-215	REAR BUSH 161S
82-220	PRESSURE PAD FOR 82-086
82-228	NATO EYE 161S
82-522	JOCKEY WHEEL CLAMP ASSEMBLY

# AXLE PARTS



NOTE: IT IS ADVISABLE TO QUOTE ID NUMBERS ON THE AXLE DATA PLATE WHEN ENQUIRING FOR DRUM & BRAKE PARTS

HLT-1110	BRAKE ROD
82-019bd	BRAKE DRUM MK1
82-019bd1	BRAKE DRUM MK2
82-019bs	BRAKE SHOES
82-019cp	SPRING COVER PLATE
82-019os	OIL SEAL
82-019ps	BRAKE SHOE RETAINING SPRING
82-019ts	BRAKE SHOE PULL OFF SPRING
82-034	DOMED NUT
82-064A	CLEVIS
82-064B	CLEVIS PIN
82-080	BRAKE CABLE
82-081	BRAKE CABLE COVER
82-082	BALANCE BAR
82-235	GREASE CAP
82-541	WHEEL & TYRE 165 X 13" (WAS 82-060)